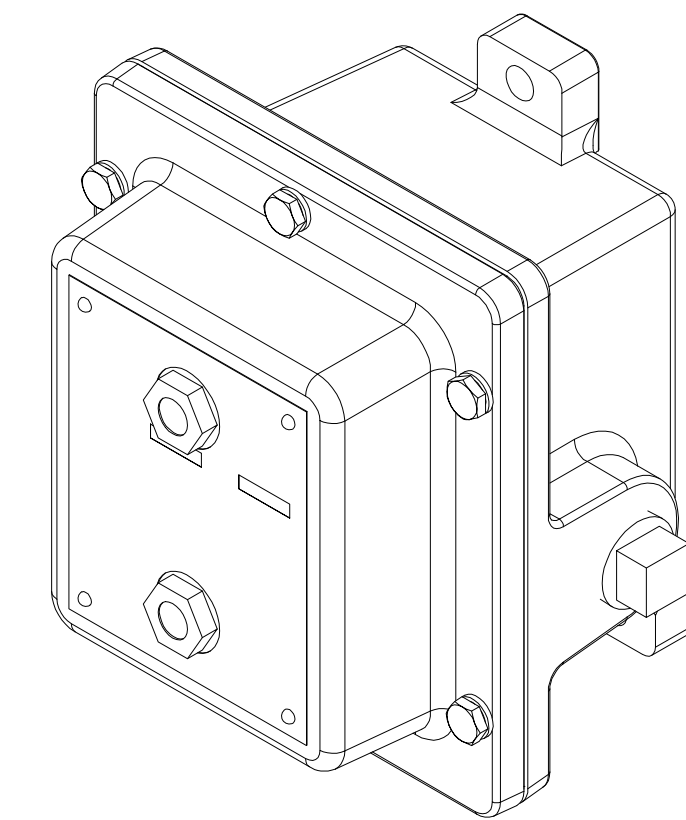
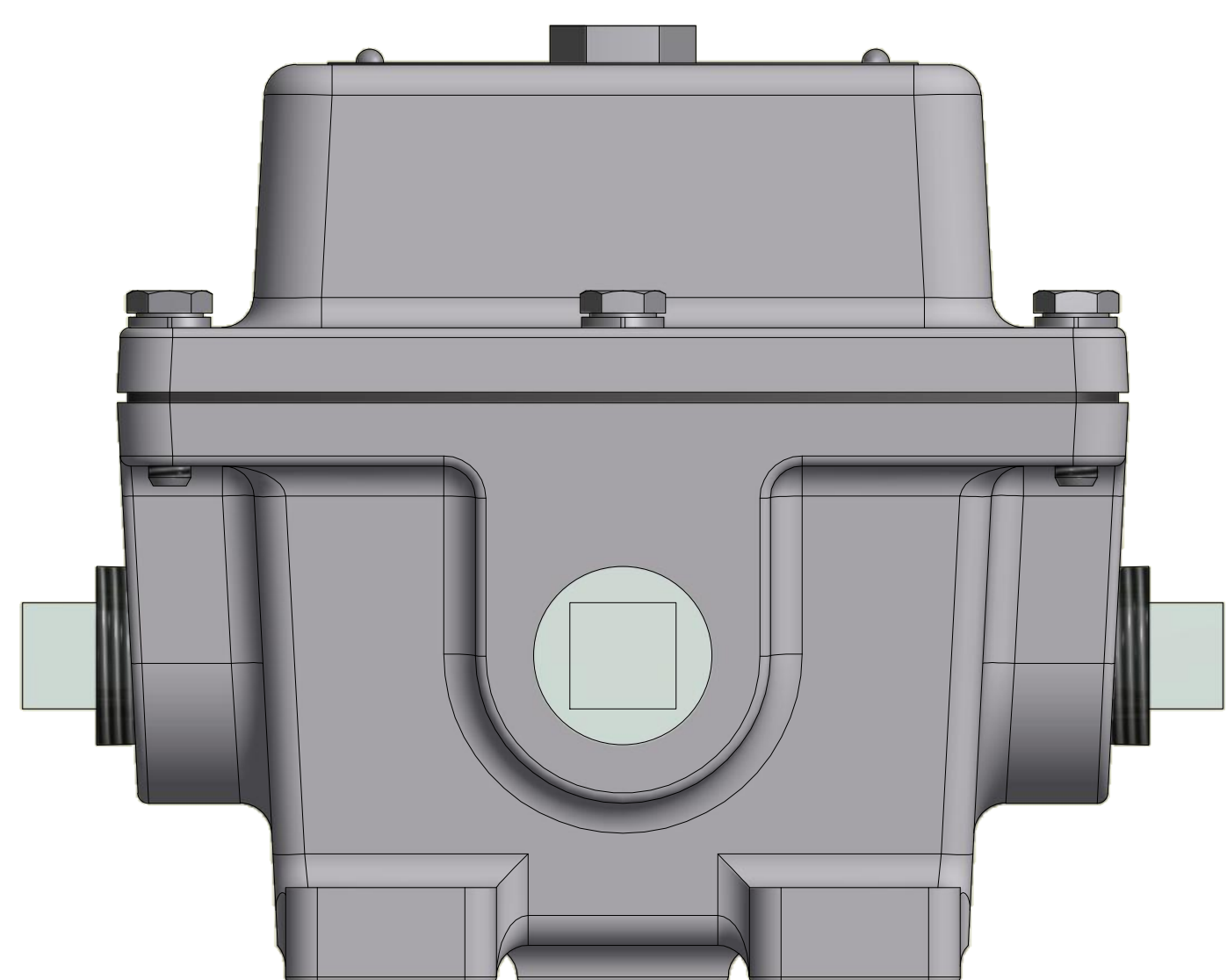
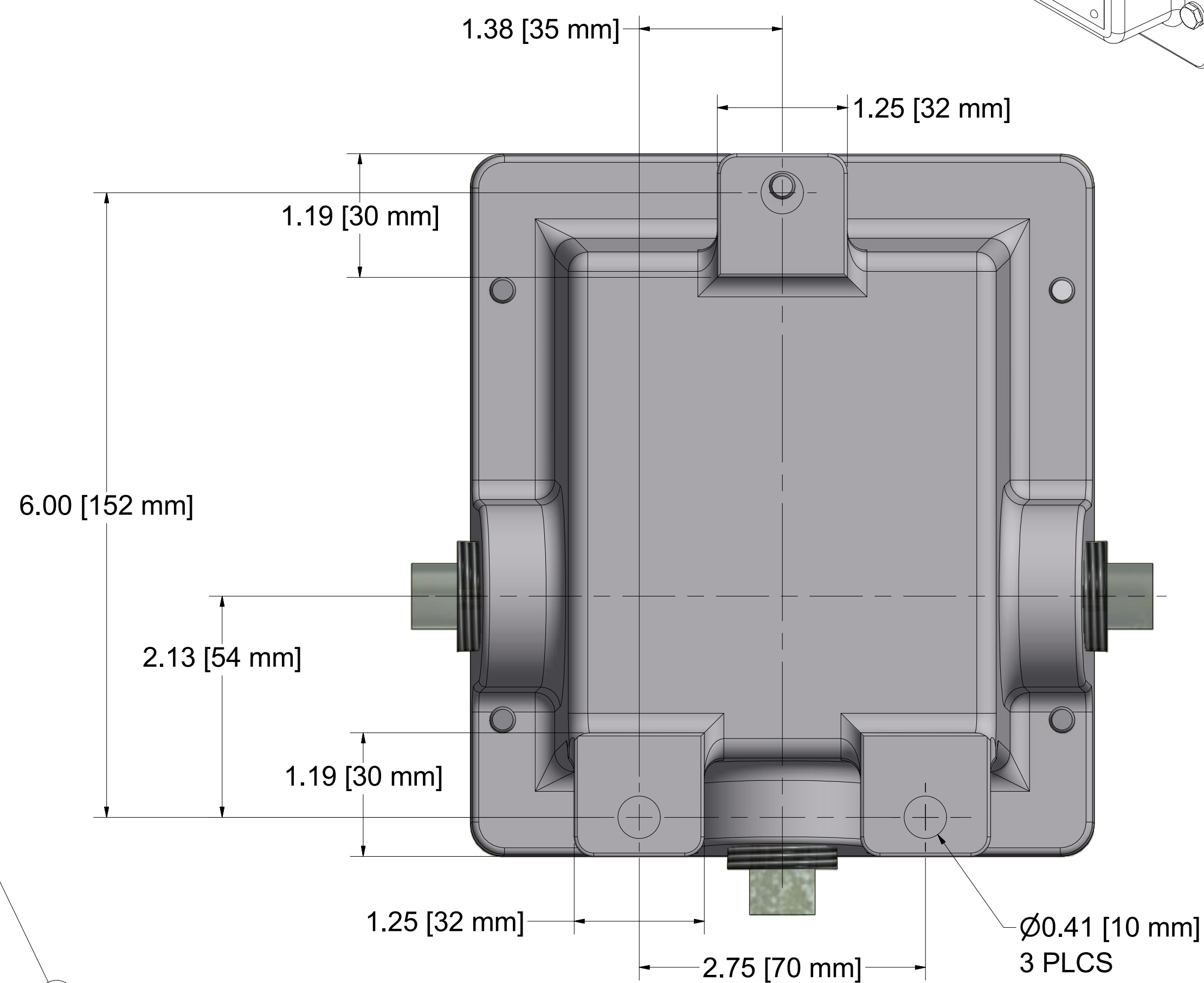
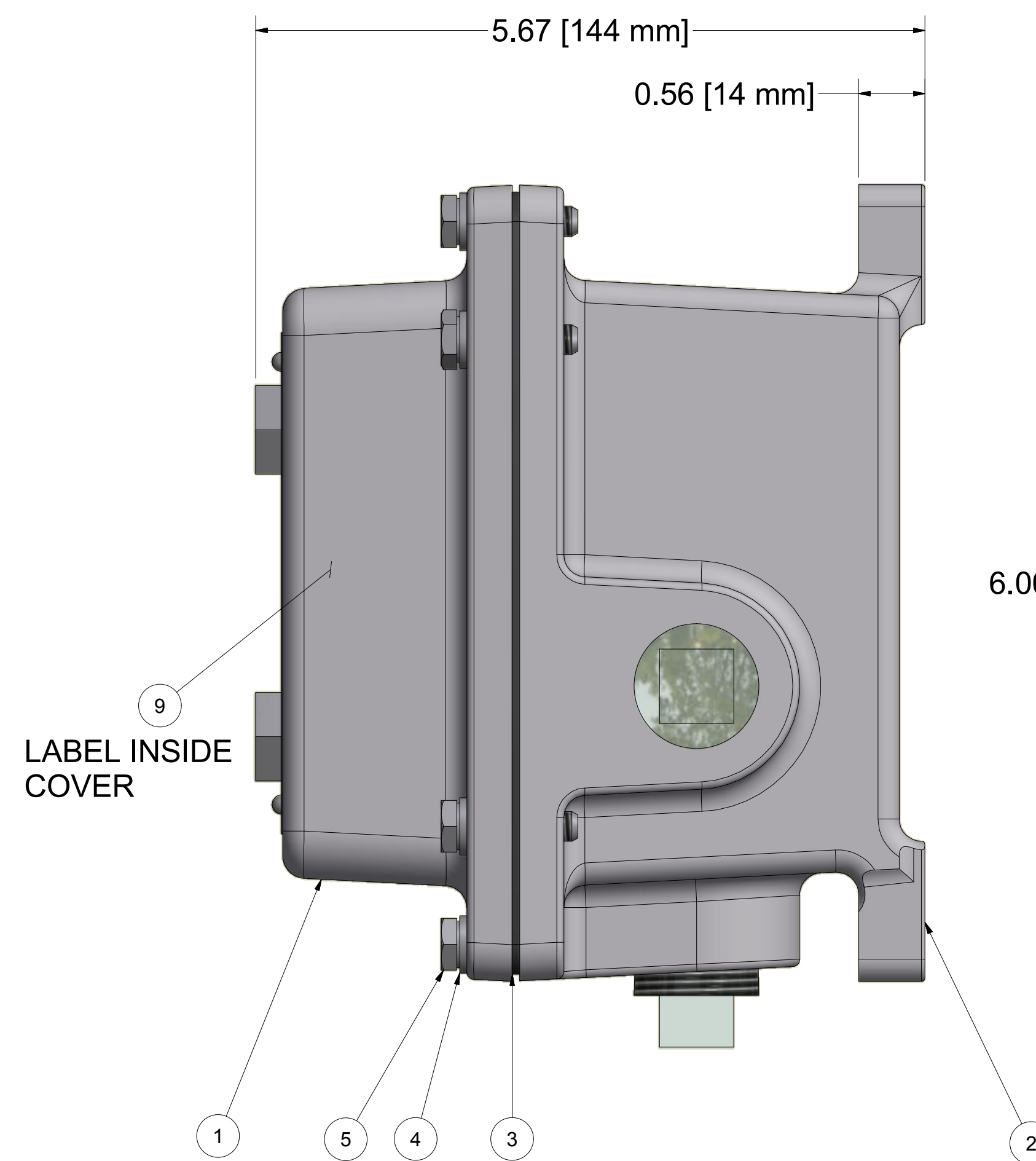
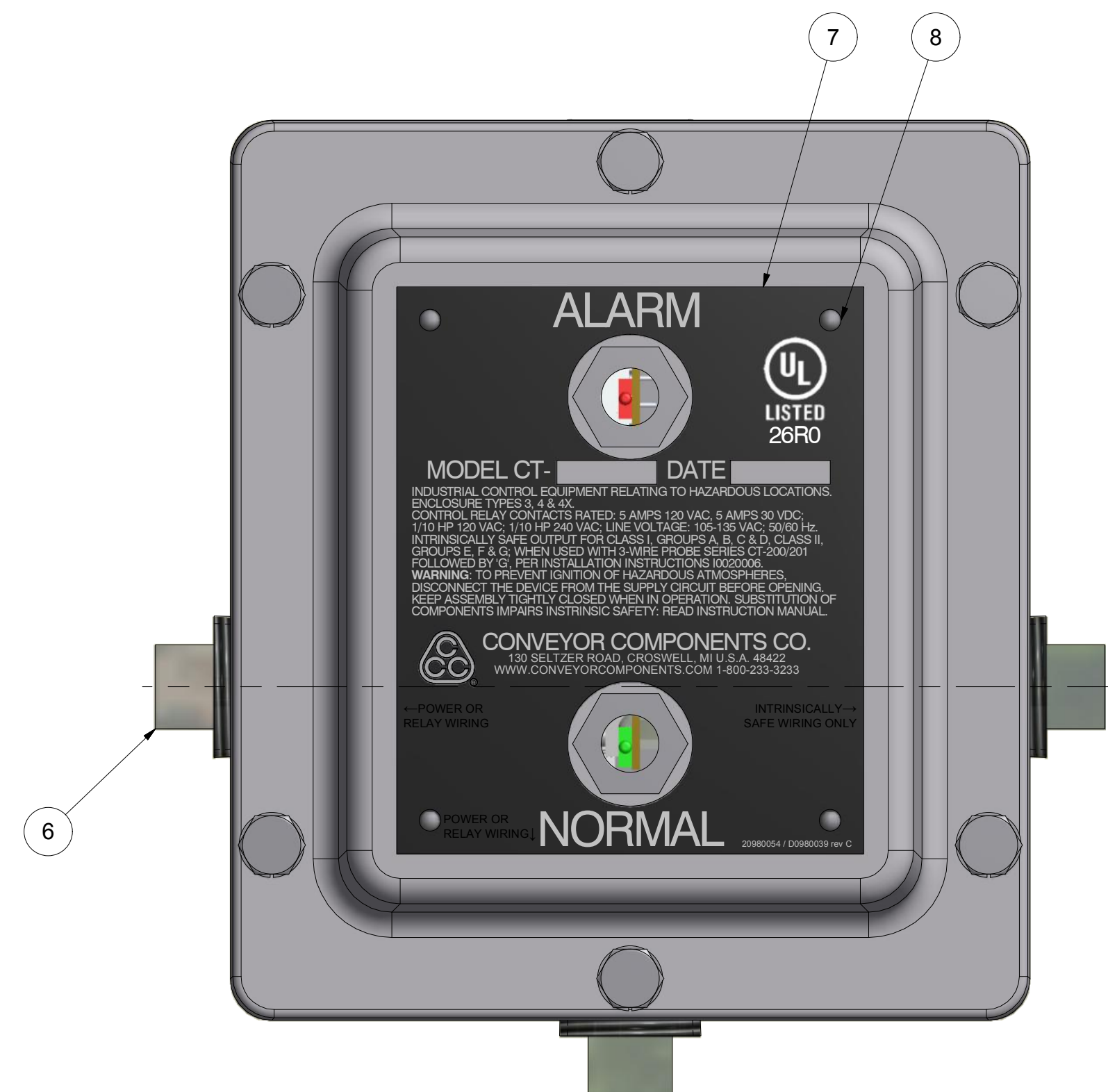


REV	ECO	DESCRIPTION	DATE	BY	APP
D	3811	ADD LABEL	9/13/2012	GL	JK




VIEW 5
SCALE 1/2



ENCLOSURE TYPE 3, 4, 4X.
ALL DIMS GENERAL REFERENCE ONLY.

PARTS LIST				
ITEM	PART#	DWG	DESCRIPTION	I QTY
1	20020194	D0020038	CT COVER ASSEMBLY X-PROOF	1
2	20020191	D0020043	CT BASE ASSEMBLY X-PROOF	1
3	20170043	B0170003	RS/SS-14/TA Gasket - (Rhopac)	1
4	22013426		1/4" SPLIT LOCKWASHER - SST	6
5	22011075		1/4-20 X 1 HEX HEAD CAP SCREW - SST; UL CTRL	6
6	RS-29		3/4" CONDUIT PLUG UL CONTROLLED	3
7	20980054	D0980039	NAMEPLATE CT CONTROL ORDINARY UL	1
8	22016101		#2 X 1/4 Drive Rivet - SST	4
9	20980079	D0980059	LABEL: CT CONDUCTORS / TORQUE	1

DRAWN	GL	12/10/2009	 Conveyor Components Company Division of Material Control, Inc. 130 Seltzer Road, Crosswell, Michigan 48422 U.S.A.
CHECKED	JK	10/2/2012	
APPROVED	JK	1/14/2010	
PART	CT-105		CT-105 CONTROL: TYPE 4X ENCLOSURE
THIS PRINT IS PROPERTY OF CONVEYOR COMPONENTS CO., AND MAY NOT BE USED IN WHOLE OR PART WITHOUT WRITTEN PERMISSION.			Drawing is computer generated, and print might not be to scale SIZE: D DWG NO: D0020028.dwg SCALE:
			REV: D
			SHEET 1 OF 1